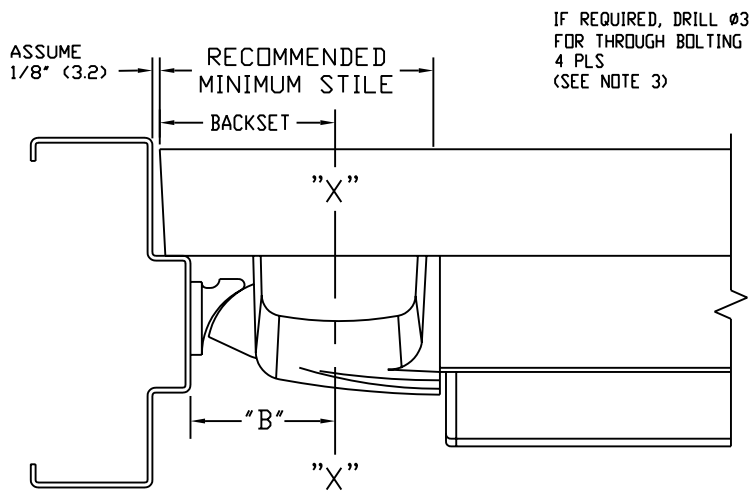
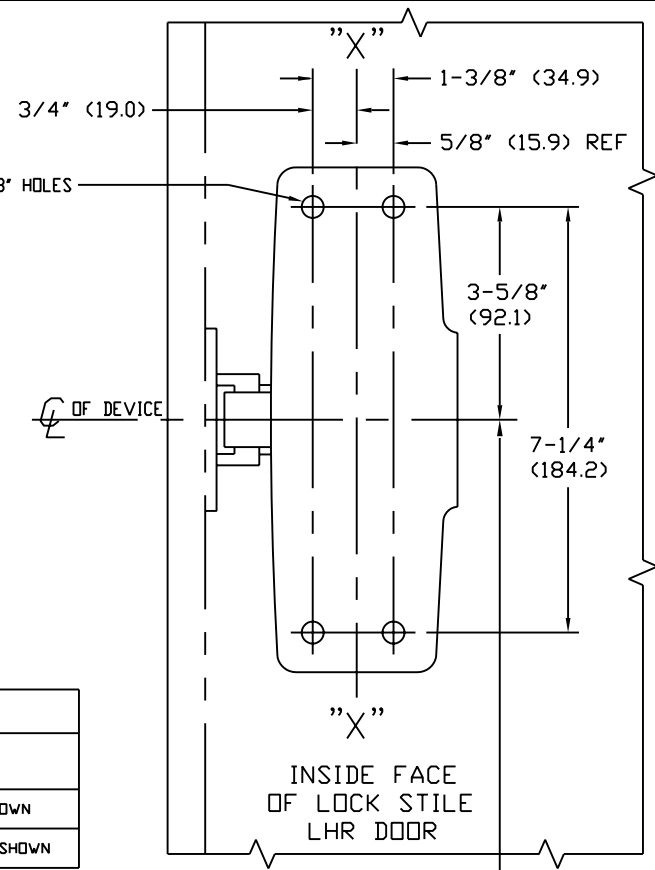


NOTES:

1. DIMENSIONS SHOWN IN INCHES AND (mm).
2. ASSUME 5/8" (16mm) STOP.
3. Ø3/16" (5mm) PILOT HOLES TO BE DRILLED AT INSTALLATION



IF REQUIRED, DRILL Ø3/8" HOLES FOR THROUGH BOLTING 4 PLS (SEE NOTE 3)

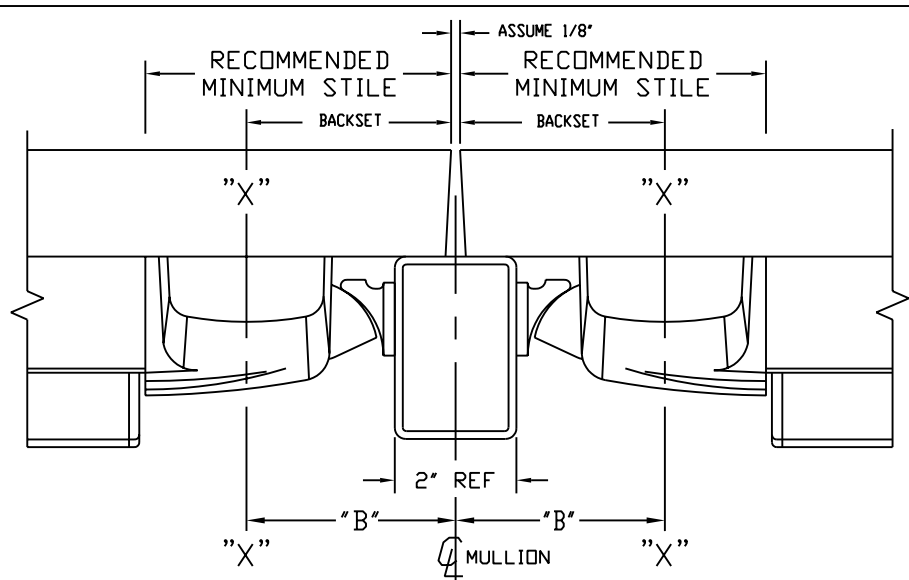


SINGLE DOOR INSTALLATION				
STRIKE	DIM. "B"	BACKSET	RECOMMENDED MINIMUM STILE	
99	2-7/16" (61.9)	2-15/16" (74.6)	4-5/8" (117.5)	SHOWN
98	1-15/16" (49.2)	2-7/16" (61.9)	4-1/8" (104.8)	NOT SHOWN

INSIDE FACE OF LOCK STILE LHR DOOR

(LHR SHOWN RHR OPPOSITE)

40" (1016) HEIGHT (RECOMMENDED)
37" (940) MIN. HEIGHT TO FINISHED FLOOR



DOUBLE DOOR INSTALLATION WITH MULLION					
MULLION	STRIKE	DIM. "B"	BACKSET	RECOMMENDED MINIMUM STILE	
90KR & *F90KR	99	3-7/16" (87.3)	3-3/8" (85.7)	5-1/16" (128.6)	SHOWN
90KR & *F90KR	98	2-15/16" (74.6)	2-7/8" (73.0)	4-9/16" (115.9)	NOT SHOWN

*STRIKE HOOK HOLE LOCATION SHOULD BE FIELD PREPARED

RESPONSIBILITY
Door and Frame Manufacturers are responsible for providing adequate construction or reinforcements for proper installation of hardware shown. All architectural builders hardware must be installed on properly reinforced doors and frames regardless of the type, material or method of construction.

TEMPLATE
WOOD DOOR
1001 & F1001 SERIES
RIM EXIT DEVICE
BP-5 MOUNTING PLATE

HDG. _____ DR. _____

DETEX CORPORATION

DO NOT SCALE DRAWING

DATE 8/9/02 TEMPLATE NUMBER T1052