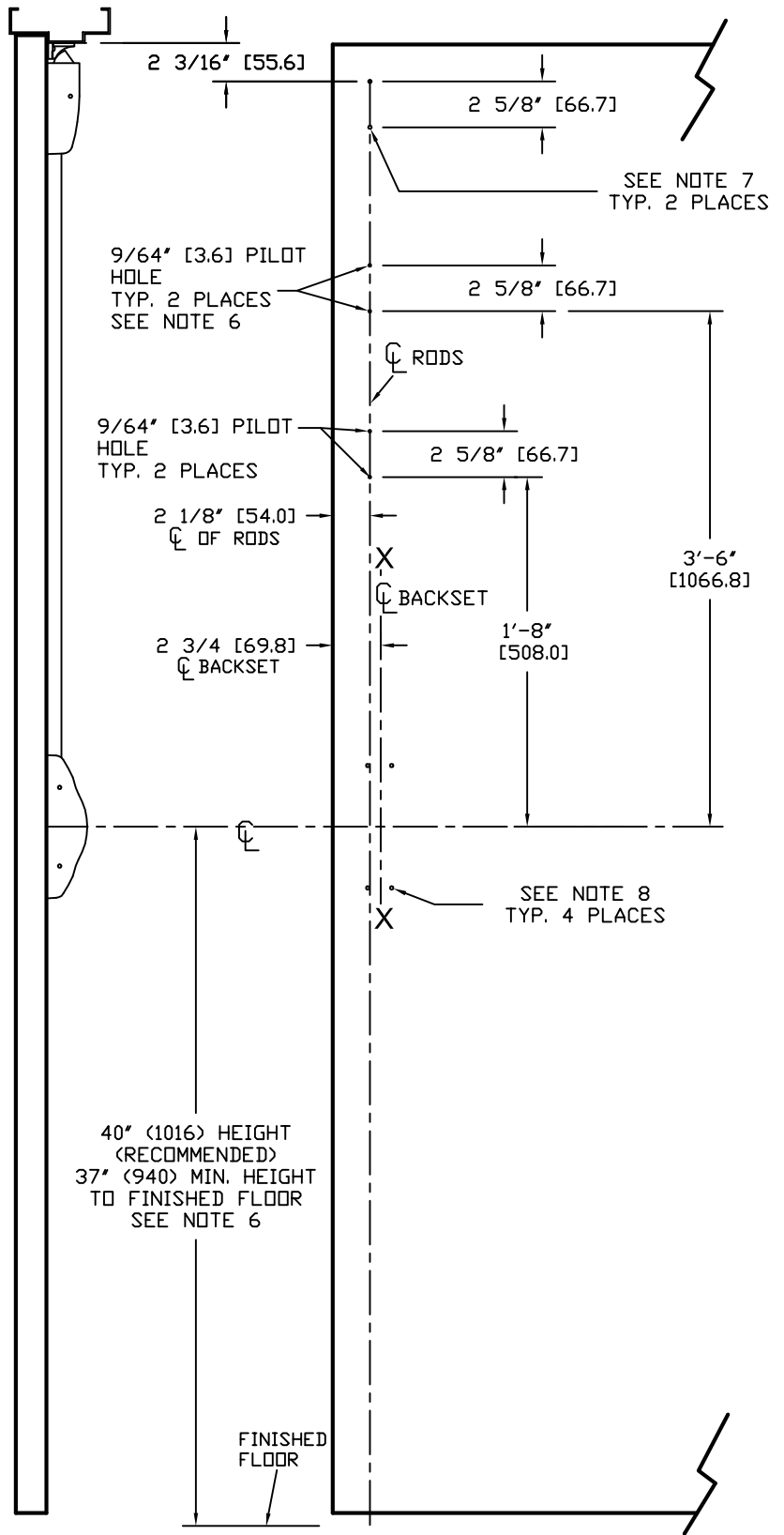
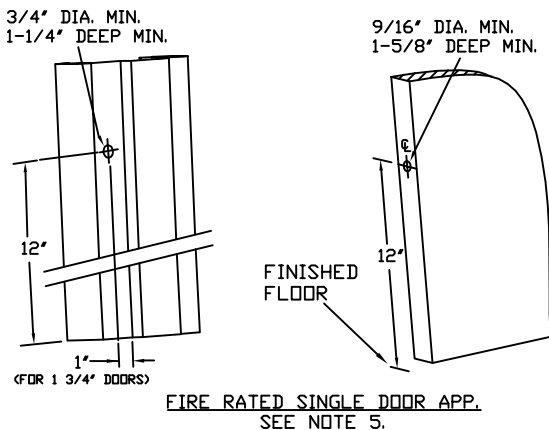
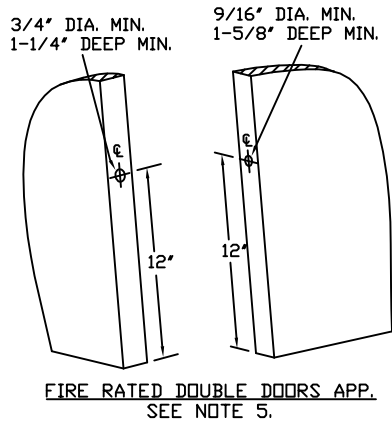


NOTES:

1. DO NOT SCALE DRAWING.
2. DIMENSIONS ARE IN INCHES [mm].
3. LHR DOOR SHOWN.
4. MINIMUM STILE WIDTH: 4-1/2" [114.3].
5. INSTALL POPPER ON FIRE RATED DOORS ONLY (PREFIX F). THE POPPER HOLES MUST BE ALIGNED WITH EACH OTHER.
6. REQUIRED FOR DOOR HEIGHTS OVER 7'0", OR IF DISTANCE BETWEEN DEVICE CENTER LINE TO TOP OF DOOR EXCEEDS 44".
7. 3/16" [4.8] PILOT HOLE. IF REQUIRED, THRU-BOLT HOLE SIZE 9/32" INTERIOR DOOR FACE, AND 3/8" EXTERIOR DOOR FACE.
8. PLEASE REFER TO HOLE DETAIL ON PAGE 2.



HDG. _____ DR. _____

RESPONSIBILITY
Door and Frame Manufacturers are responsible for providing adequate construction or reinforcements for proper installation of hardware shown. All architectural builders hardware must be installed on properly reinforced doors and frames regardless of the type, material or method of construction.

**TEMPLATE
WOOD DOOR
2101 & F2101 SERIES
TOP ROD ONLY EXIT DEVICE
BP-1 MOUNTING PLATE**

DETEX CORPORATION

DO NOT SCALE DRAWING

DATE 3-29-10	TEMPLATE NUMBER T1089 Pg 1 OF 2
-----------------	------------------------------------

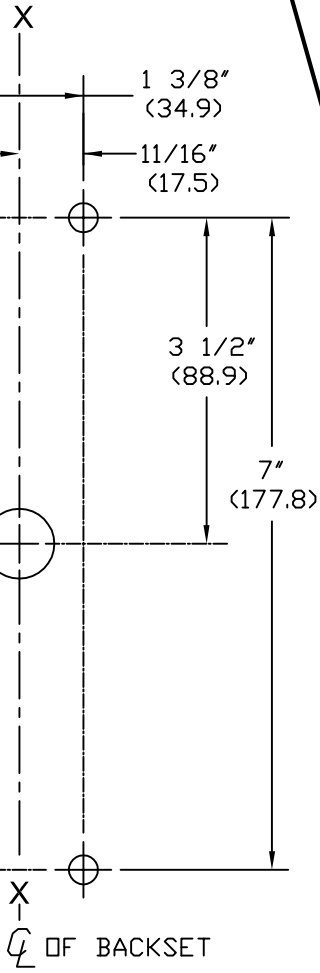
FOR NO TRIM:
3/16" PILOT HOLE
4 PLS

FOR OUTSIDE TRIM ONLY:
INSIDE HOLES 5/16" (7.9)
OUTSIDE HOLES 1/2" (12.7)
4 PLS

FOR OUTSIDE TRIM ONLY
3/4" HOLE
(19.1)

40" (1016) HEIGHT
(RECOMMENDED)
TO FINISHED FLOOR

1/8" (3.2) GAP ASSUMED
(DOOR TO FRAME)



INSIDE FACE
OF LOCK STILE
LHR DOOR

HDG. _____ DR. _____

- NOTES:
1. LHR SHOWN; RHR OPPOSITE.
2. DIMENSIONS SHOWN IN INCHES AND (mm).

RESPONSIBILITY
Door and Frame Manufacturers are responsible for providing adequate construction or reinforcements for proper installation of hardware shown. All architectural builders hardware must be installed on properly reinforced doors and frames regardless of the type, material or method of construction.

TEMPLATE
WOOD DOOR
2101 & F2101 SERIES
TOP ROD ONLY EXIT DEVICE
BP-1 MOUNTING PLATE

DETEX CORPORATION
DO NOT SCALE DRAWING
DATE 3-29-10 TEMPLATE NUMBER T1089 Pg 2 OF 2