



Detex Corporation, 302 Detex Drive, New Braunfels, Texas 78130-3045  
 830-629-2900 / 800-729-3839 / Fax 800-653-3839 / Text photos only: 830-481-6433 / INTERNET: www.detex.com

**INSTALLATION INSTRUCTIONS FOR ADVANTEX TRIM**

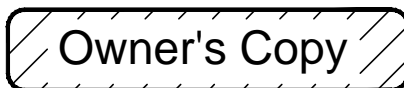
**Outside lever trim 08, 09, 14**  
 (drawing 101437: 08 Trim - includes 08D, 08DT, 08DU, 08DV)  
 (drawing 101996: 09 Trim - includes 09D, 09DT, 09DU, 09DV)  
 (drawing 101447: 14 Trim - includes 14D, 14DT, 14DU, 14DV)

Table of Contents	Page
Device parts breakdown view.....	2
Device parts breakdown list with part numbers.....	3
Prep Trim, Prep Door for Rim.....	4
Install Trim.....	5
Rehanding.....	6

Should you have a Question/Problem with your Detex device please call Detex Technical Support from job site at 1-800-729-3839 and choose option 2 on our menu. Please do not return the product to the distributor.

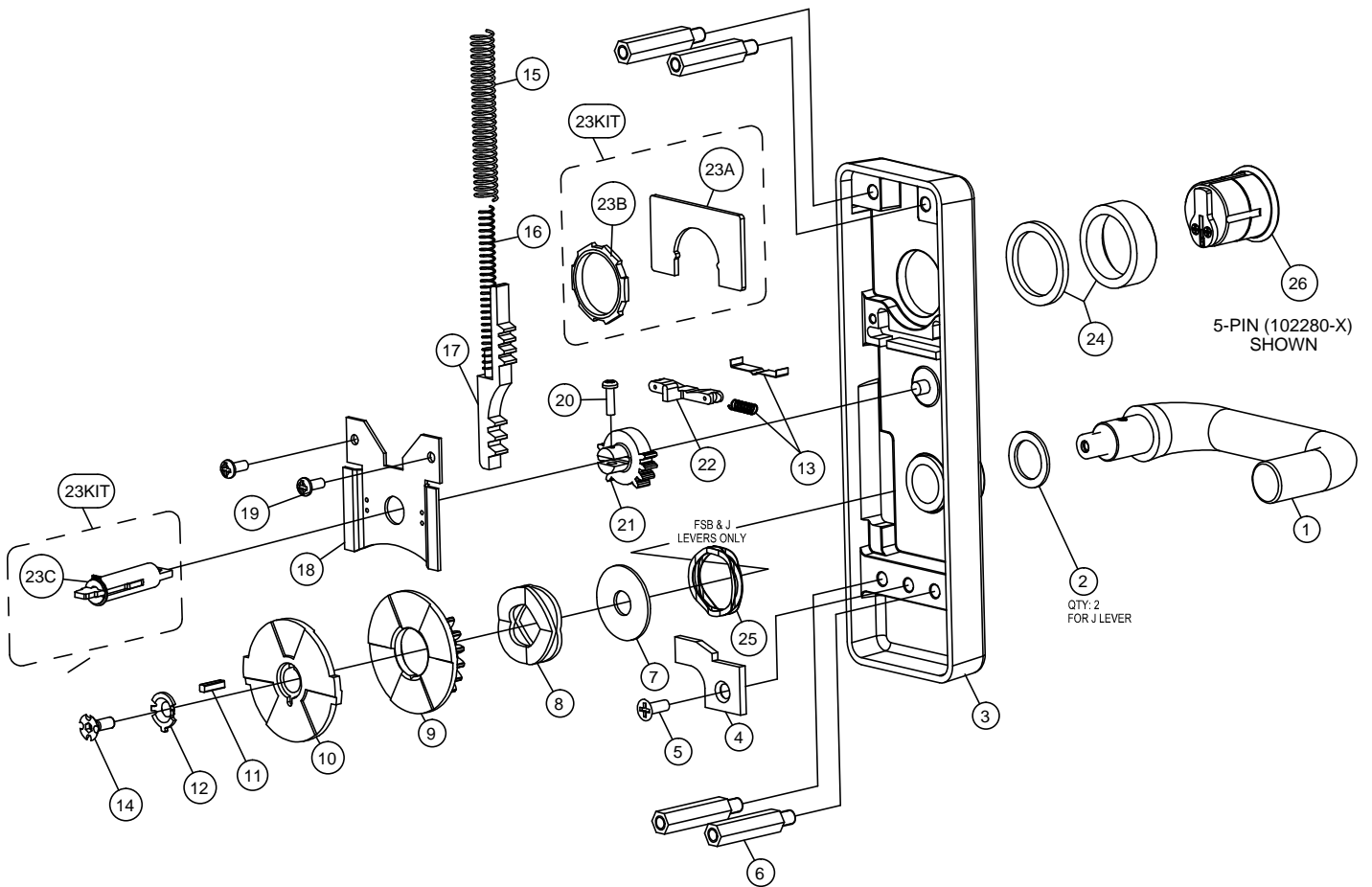
**For WARRANTY information,  
 scan code below or  
 go to [www.detex.com/warranty](http://www.detex.com/warranty)**

**For device installation videos,  
 scan code below or  
 go to [www.detex.com/videos](http://www.detex.com/videos)**



# LHR ASSEMBLIES SHOWN

RHR assemblies opposite



PARTS BREAKDOWN			
Item	P/N	QTY	Description
1	106264-7	1	LEVER ASSY, Q, 626
	106264-14		LEVER ASSY, Q, 693
	106264-15		LEVER ASSY, Q, 695
	101376-7		LEVER ASSY, S, 626
	101376-14		LEVER ASSY, S, 693
	101376-15		LEVER ASSY, S, 695
	101375-7		LEVER ASSY, U, 626
	101375-14		LEVER ASSY, U, 693
	101375-15		LEVER ASSY, U, 695
	101374-7		LEVER ASSY, T, 626
	101374-14		LEVER ASSY, T, 693
	101374-15		LEVER ASSY, T, 695
2	106603	2	WASHER, FLAT, 1"x0.02 THK (J LEVER ONLY)
	100851	1	WASHER, FLAT, 1"x0.06 THK (ALL EXCEPT J LEVER)
3	101373-9	1	ESCUTCHEON ASSY, 08W / 09W, BP1, 630 FINISH
	101459-9		ESCUTCHEON ASSY, 14W, BP1, 630 FINISH
4	100771	1	STOP, ROTATIONAL
5	PP-5305-108	1	SCREW, MACH, 10-24 X 1/2 PFH
6	100777	4	STANDOFF, HEX
7	100775	1	WASHER, FLAT
8	103047	1	CLUTCH SPRING
9	103043	1	BOTTOM GEAR, WIDE
10	103044	1	TORQUE PLATE, WIDE
11	103994	1	KEY, SHEAR PIN, STEEL
12	100821	1	WASHER CLUTCH
13	100773	1	FLAT SPRING LOCKING (08 function only)
	101997		SPRING, COMPRESSION (09 function only)
14	102536-1	1	SCREW, 10-24, CUSTOM
15	100766	1	SPRING, RETURN
16	101509	1	SPRING, RETURN, HELPER
17	101436	1	RACK ASSEMBLY
18	100753	1	COVER PLATE
19	PP-5378-106	2	SCREW, MACH, 8-32 x 3/8 PPH
20	PP-5367-108	1	SCREW, MACH, 6-32 x 1/2 PPH
21	100762	1	TOP GEAR
22	101993	1	LOCK SLIDE
23KIT	105673-1	1	LEVER TRIM HARDWARE KIT, RIM/SVR
	105673-3		LEVER TRIM HARDWARE KIT, CVR
23A	100754	1	PLATE, CYLINDER POSITION
23B	100783	1	NUT, HEXAGON, CYLINDER
23C	101478	1	SHAFT EXTENSION ASSEMBLY
	106694		TAILPIECE ASSEMBLY, D TRIM, CVR UNIVERSAL
24	100572-9	1	CYLINDER COLLAR, SHORT
	100752-9		CYLINDER COLLAR, TALL
25	105964	1	WASHER, WAVE
26	103800-626	1	CYLINDER HOUSING, SFIC, MORTISE, 7 PIN, CHROME
	102281-7-X		CYLINDER, MORTISE, 5 PIN, CHROME

Your particular part or configuration may not be shown:  
Contact Detex technical support at 800-729-3839 (option 2)

**Tools Required:**

**Safety Glasses**

**Power Drill**

**Tape Measure**

**Level**

**Pencil**

**Center Punch**

**Hammer**

**#2 and #3 Phillips Screw Drivers**

**Drill bits:**

**5/16"**

**1/2"**

**3/4"**

FOR ITEM 26  
"-X" REFERS TO  
KEY CODE  
AA-KK



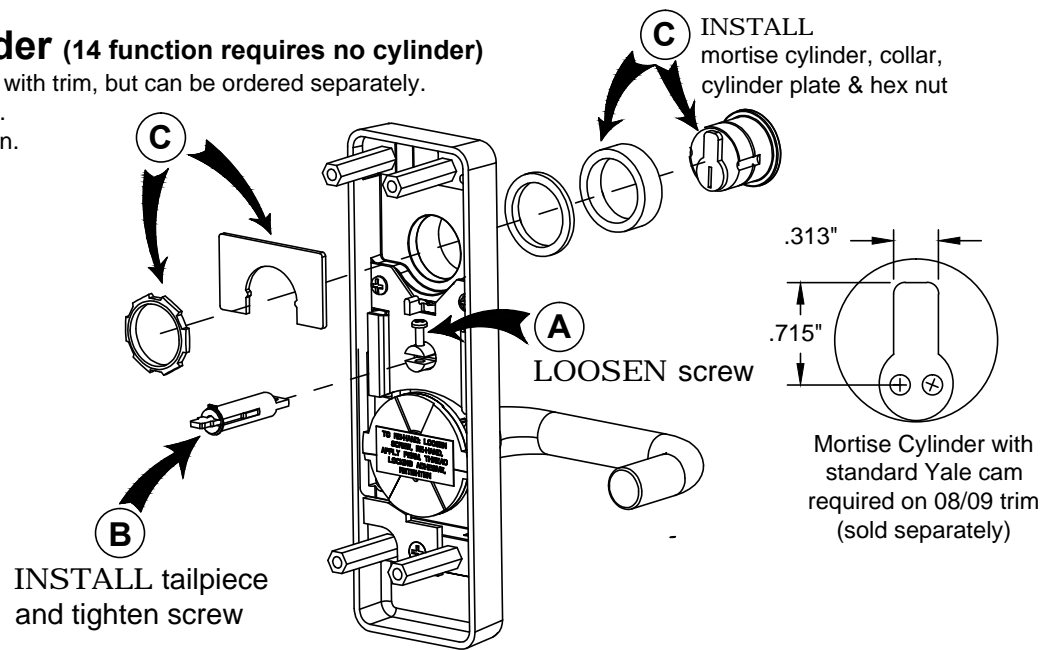
## STEP 1: PREP TRIM

### Install tailpiece & cylinder (14 function requires no cylinder)

NOTE: 1. Mortise cylinder NOT supplied with trim, but can be ordered separately.

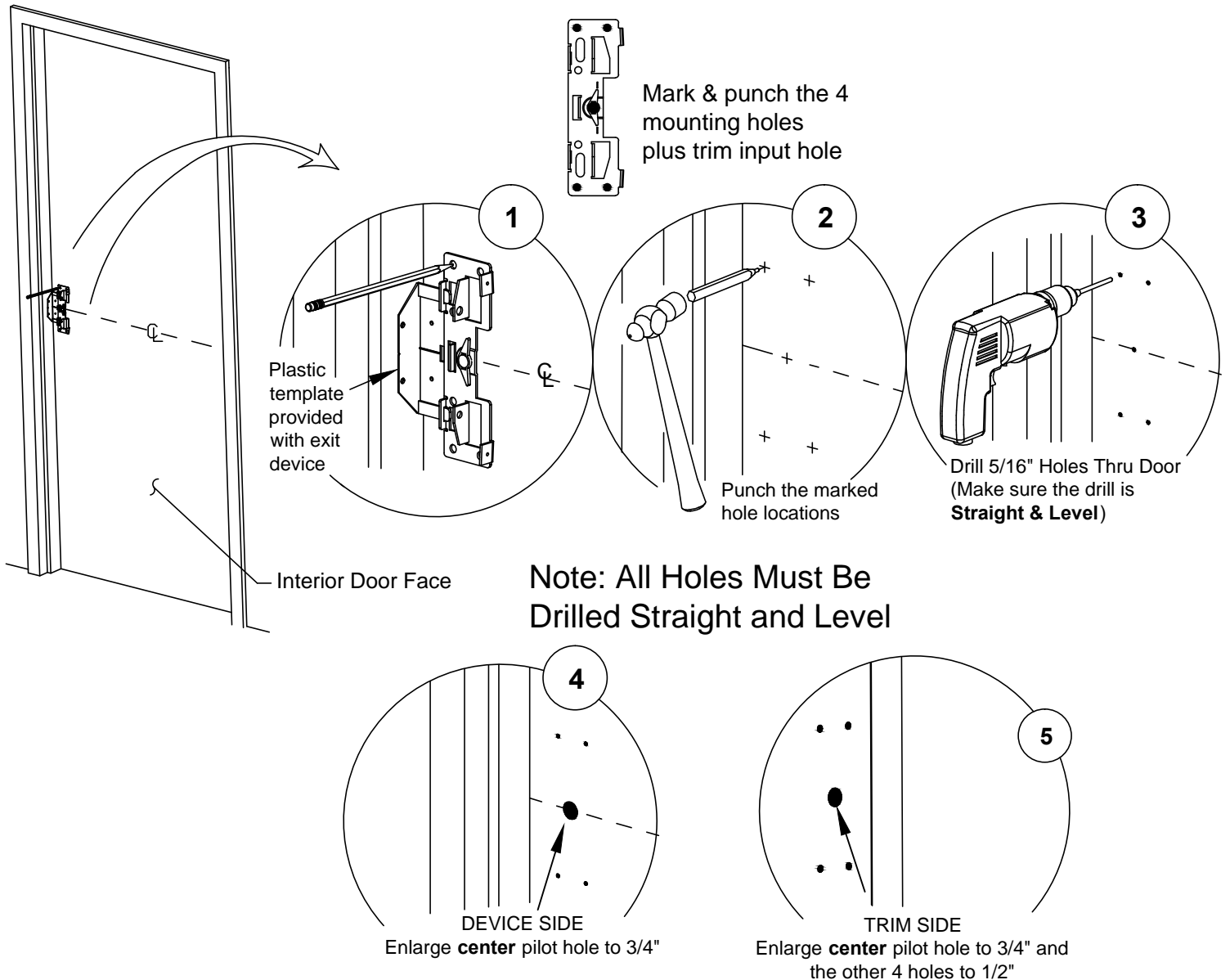
2. Trim handing is field reversible.
3. 6-pin cylinder installation shown.

Follow steps A through C in order:

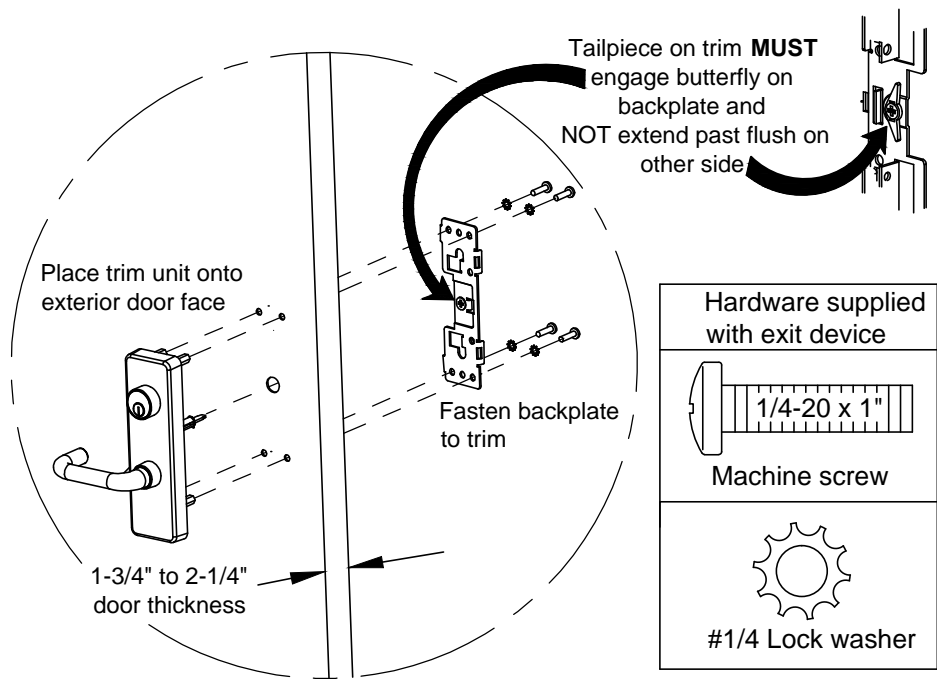


## STEP 2: PREP DOOR

Mark and drill holes. (LHR installation shown, reverse for RHR)



# STEP 3: INSTALL TRIM



**TRIM INSTALLATION COMPLETE**  
Continue installation using device instructions

# CHANGE LEVER HANDING (if required)

- A. Remove tailpiece extension assembly screw. Remove tailpiece extension assembly if already installed.
- B. Remove stop plate.
- C. **Warning: Springs under pressure!** Remove spring retaining plate and carefully remove the springs.
- D. Switch lock spring to opposite side (for 09 function only).
- E. Remove top gear.
- F. Loosen the clutch center screw approximately two (2) turns. Bend locking tab back to disengage with notch.
- G. Slide the locking bar away from the rack (not necessary for 14 function). Remove the rack while rotating the lever.
- H. Continue rotating the lever to the opposite side.
- I. Rotate the lever to the position shown. Partially engage the rack and the clutch gear on the opposite side.
- J. Rotate the lever until the rack is completely seated.
- K. Insert the top gear.
- L. Add permanent thread locking adhesive and tighten the clutch center screw. Bend tab over screw notch so the screw cannot turn.
- M. **WARNING: Springs under pressure!** Install the springs. Hold the lever in the down position, firmly compressing the springs in place.
- N. While holding the lever in the down position, replace the spring retaining plate and fasten the two (2) screws.
- O. Reverse the stop plate and fasten the screw.
- P. Replace the tailpiece extension and screw.

Handing complete.

