

INSTRUCTIONS FOR LX & LXV SWITCH WIRING

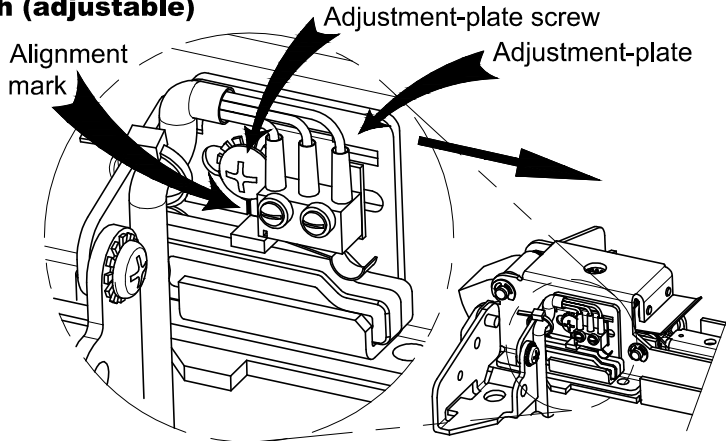
ADVANTEx®

Dwg #:
 101379 RIM (SS)
 104600 RIM (AL)
 104690 SVR (AL)
 105260 CVR (60)
 105280 CVR (70/80)

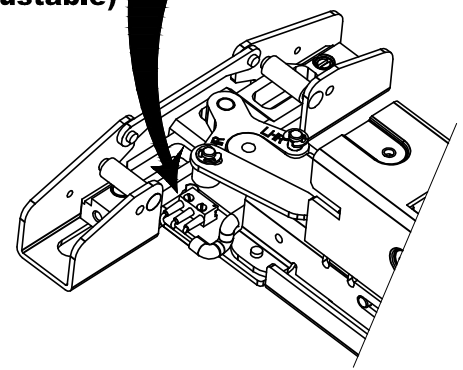
LX option (Latch bolt monitoring) (maximum 50mA signal) (weatherized not available)				LXV option (Latch bolt monitoring voltage) (maximum 3A power) (weatherized not available)			
Maximum DC Voltage	Maximum Amperage	Wire Color	Switch Position	Maximum DC Voltage	Maximum Amperage	Wire Color	Switch Position
30V	50mA	Grey	Closed	30V	3A	Grey/Red	Closed
		Brown	Common			Brown/Red	Common
		Yellow	Open			Yellow/Red	Open

The latchbolt monitor switch is activated whenever the latchbolt is retracted.
 The switch details are shown with the latchbolt extended and the touchbar not depressed.
 Consult the factory for assistance at 800-729-3839

RIM DEVICE Switch (adjustable)



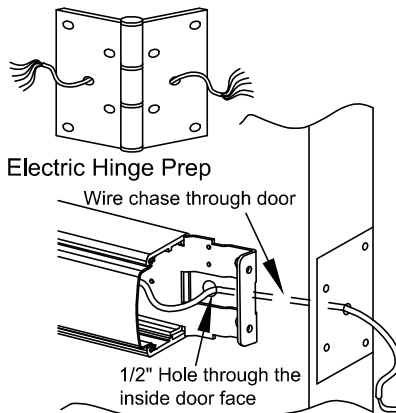
SURFACE VERTICAL ROD (SVR) shown below CONCEALED VERTICAL ROD (CVR) similar Switch (Non-adjustable)



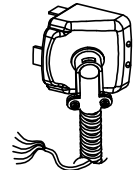
Switch Adjustment Procedure - RIM DEVICE ONLY

- Loosen adjustment-plate screw.
- Slide adjustment-plate left to right depending on sensitivity setting required.
 - Factory Set to most sensitive: Switch will be most sensitive with alignment mark as shown (least amount of latchbolt travel required to activate switch).
 - For less sensitivity, slide adjustment-plate in the direction of the travel arrow (more latchbolt travel will be required to activate switch).
- Re-fasten adjustment-plate screw.

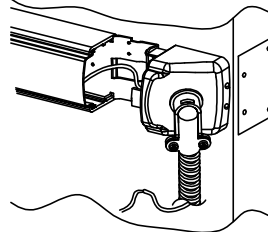
Electric Hinge p/n: EWH8-626



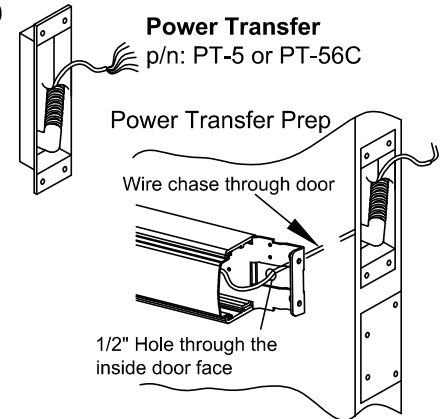
Note: For high traffic areas an electric through-wire hinge or power transfer is recommended.
 (Requirements: Minimum 6 Conductor Wires, Maximum 12 Conductor Wires)



Flex Conduit/End Cap Kit
 p/n: FC3EC1 (EC1 shown)
 (specify finish when ordering)
Flex Conduit Endcap Prep
 (EC1 shown)



Power Transfer p/n: PT-5 or PT-56C



Should you have a Question/Problem with your Detex device please call Detex Technical Support from the job site at 1-800-729-3839 and choose option 2 on our menu. Please do not return the product to the distributor.



For WARRANTY information, scan code or go to www.detex.com/warranty

Owner's Copy

104874

For device installation videos, scan code or go to www.detex.com/videos

