



Detex Corporation, 302 Detex Drive, New Braunfels, Texas 78130-3045  
830-629-2900 / 800-729-3839 / Fax 800-653-3839 / Text photos only: 830-481-6433 / INTERNET: www.detex.com

**INSTALLATION INSTRUCTIONS FOR THE ECL-600 RELATCHING FIRE RATED  
PANIC DEVICE (3 HOURS) SURFACE MOUNT ONLY**

Drawing: 3830

<b>Table of Contents</b>	<b>Page</b>
Device parts breakdown view.....	2
Parts list.....	3
Hardware List with part numbers & tools required.....	4
Application examples.....	4
Door and Frame prep, Install backplate and strike.....	5
OKC and IKC installations., securing the cylinder.....	5
Install cam bridge, pushbar, battery, cover and sign.....	6
Testing and troubleshooting.....	7
(blank page).....	8
Surface keeper template.....	9
Semi mortise keeper template.....	10

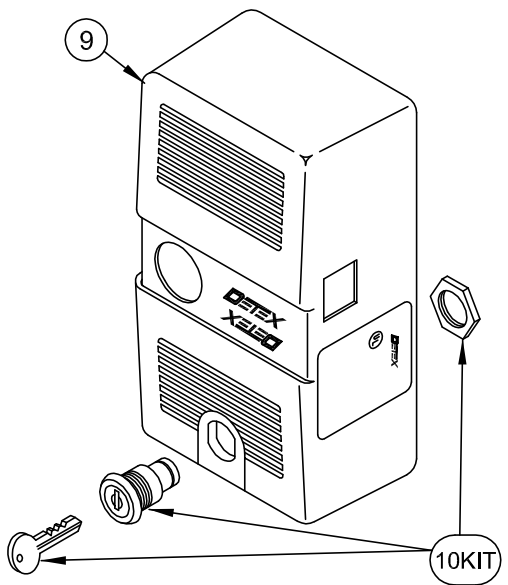
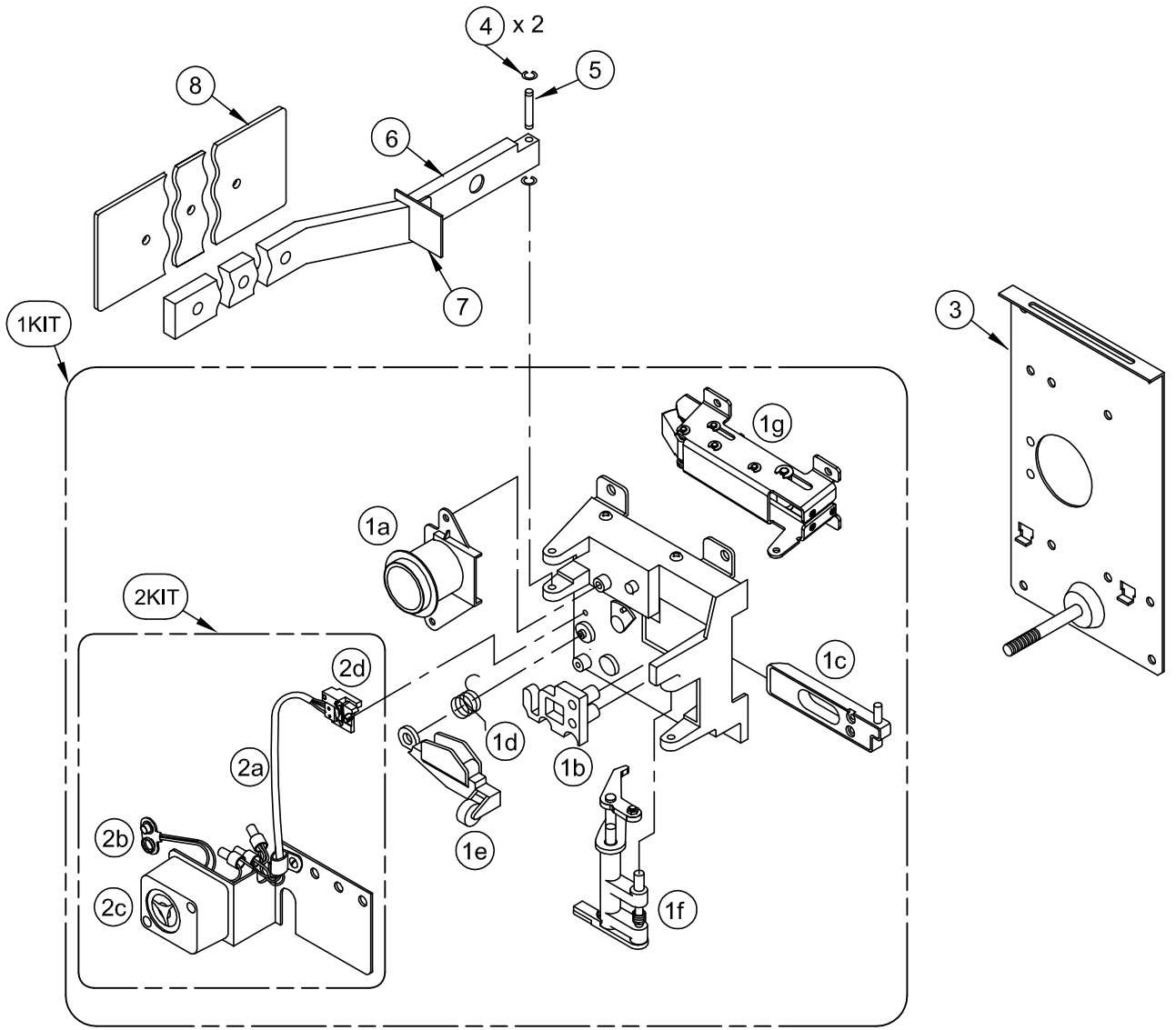
Should you have a Question/Problem with your Detex device please call Detex Technical Support from the job site at 1-800-729-3839 and choose option 2 on our menu. Please do not return the product to the distributor.

For **WARRANTY** information,  
scan code below or  
go to [www.detex.com/warranty](http://www.detex.com/warranty)



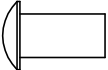
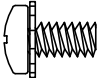


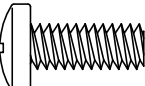
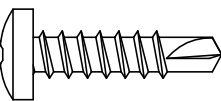



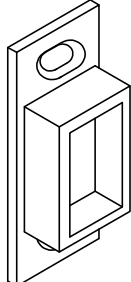
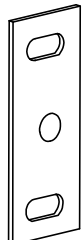
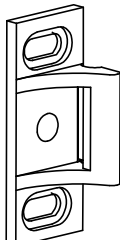
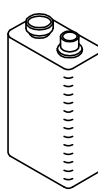
For device installation videos,  
scan code below or  
go to [www.detex.com/videos](http://www.detex.com/videos)





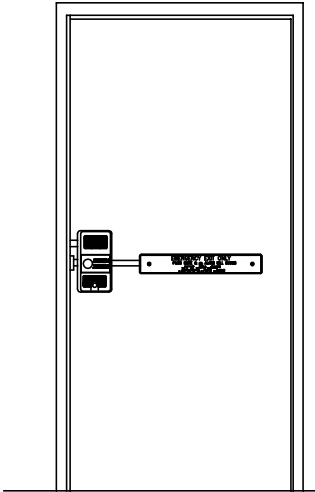
<b>PARTS BREAKDOWN</b>		
<b>Item</b>	<b>Order Part #</b>	<b>Description</b>
1KIT	100059	Mechanism Assembly (includes 1a-1f & 2kit)
1a	ECL-1576-15	Cam Bridge Assembly
1b	ECL-285A	Cam Plate Bottom
1c	ECL-306-1	Bolt Assembly
1d	ECL-284	Detent Spring
1e	ECL-293A	Detent Lever & Roller Assembly
1f	100062	Actuator & Release Lever Kit
1g	100060	Relatch Assembly
2KIT	100069	Siren Switch Assembly (includes 2a-2d)
2a	ECL-204	Switch Assembly
2b	100331	9V Battery Connector
2c	PP-5966-1	Siren
2d	101796	Holder-Switch Actuator Replacement kit
3	100098	Backplate
4	PP-5090-1	Retaining Ring
5	ECL-236	Bar Pin
6	ECL-2105	Paddle Bar, Long
7	ECL-419	Bar Shield
8	ECL-2109	Paddle Bar Plate, Long
9	100065	Cover
10KIT	PP-5572	Lockset with 2 Keys (includes 10a) (select key number 11 thru 20)
10a	ECL-405	Key (select key number 11 thru 20)

Your particular part or configuration may not be shown:  
Contact Detex technical support at 800-729-3839 (option 2)

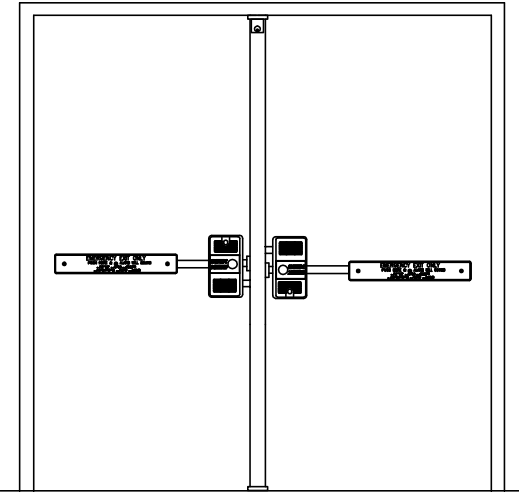
Device Keeper / Hardware kit:	
	P/N: ECL-269 Sleeve Nut
	P/N: 106754-106 10-32 x 3/8" SEMS PPH
	P/N: 100112 10-24 x 5/8" PFH
	P/N: 103277-216 #10 x 1" PPH
	P/N: 100110 1/4-20 x 5/8" PPH
	P/N: 103276-63 #14 x 1" PPH self-drilling
	P/N: PP-5090-1 Retaining ring
	P/N: PP-5066-12 #12 Internal tooth lockwasher
	P/N: 100095 Bar Spring
	P/N: ECL-437 Surface Keeper
	P/N: 100088 Shim
	P/N: 100234-1 Strike
	P/N: PP-5567 9V Battery

**TOOLS REQUIRED:**

- Pencil
- Tape for templates
- Center punch
- Hammer
- Drill motor
- Drill bits
- Screwdrivers
- Linesman's cutters
- Tape measure
- Combination square
- 10-24 Tap



SINGLE DOOR



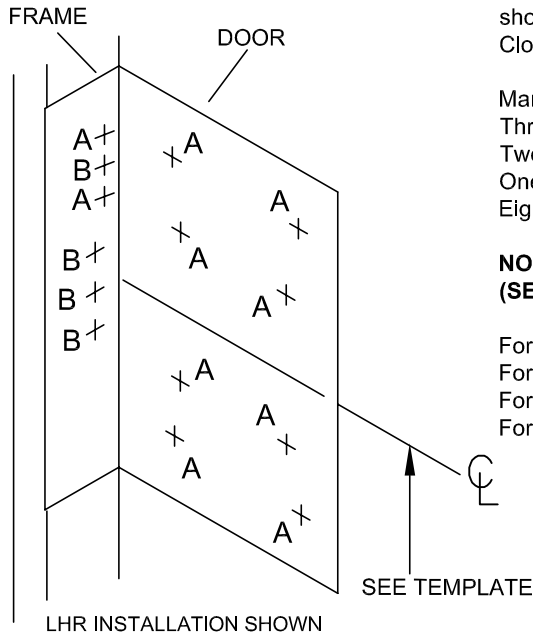
DOUBLE DOORS WITH  
REMOVABLE MULLION

APPLICATIONS, ECL-600

**STOP!**

CAUTION - IF OUTSIDE LEVER TRIM (ECL-620) IS TO BE INSTALLED, DISCARD INS-600 AND USE INS-620 INSTALLATION INSTRUCTIONS FOR BOTH ASSEMBLIES (ECL-600 AND ECL-620)!

**Step 1: DOOR AND FRAME PREPARATION**



One template is provided. Fold along dashed line marked 'FOLD UP 90°'.

Draw a line on the door for centerline of dead bolt. Height of this line from finished floor as shown on the template is 42-5/8" for LHR & 43-3/8" for RHR.  
Close the door firmly against the door stop. Position the template on the door.

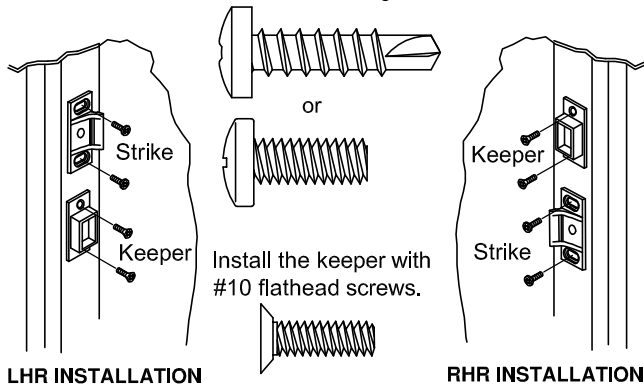
Mark the following hole centers on the door & frame:  
Three (3) #10 holes marked B on the door frame for keeper.  
Two (2) 1/4" holes marked A on the door frame for outer holes of strike.  
One (1) #10 hole marked B on the frame for middle hole of strike.  
Eight (8) 1/4" holes marked A on the door.

**NOTE: DO NOT DRILL THE CENTER HOLES IN THE KEEPER OR STRIKE AT THIS TIME. (SEE STEP 2)**

For 1/4-20 machine screw holes, use #7 drill.  
For #14 sheet metal screw holes, use #10 drill.  
For 10-24 machine screw holes, use #25 drill.  
For #10 sheet metal screw holes, use #25 drill.

**Step 2: INSTALL STRIKE & KEEPER**

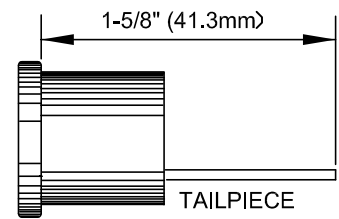
Install the strike with 1/4" panhead screws or #14 self drilling screws



**Step 3: INSIDE KEY CONTROL (IKC) TAILPIECE PREPARATION**

NOTE: The cam bridge is designed for both a 5 pin and a 7 pin rim cylinder.

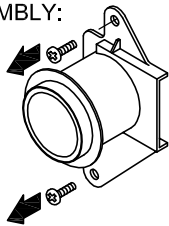
**VERIFYING TAILPIECE LENGTH:**



CUT TAILPIECE AS REQUIRED TO OBTAIN ABOVE DIMENSIONS

**Step 4: SECURING THE CYLINDER**

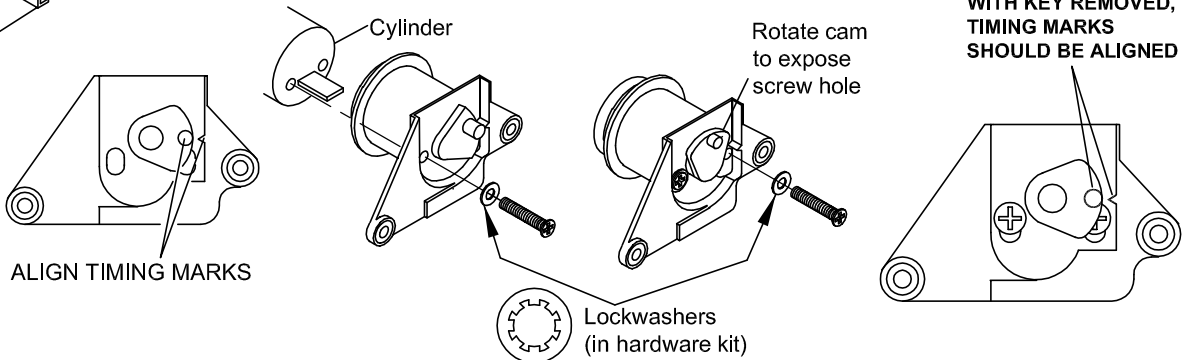
Remove cam bridge from the MECHANICAL ASSEMBLY:



Secure cylinder:

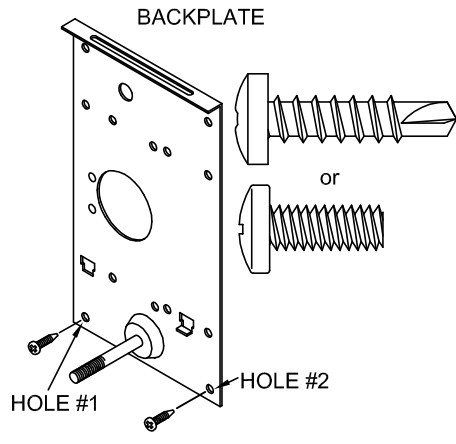
**Remove key, align timing marks and insert cylinder.**

Install 1 screw and lockwasher in the exposed hole.  
Insert the key and turn it to expose the second hole.  
Install the second screw and lockwasher.  
Turn the key in both directions.  
There must not be any friction or binding.



### Step 5: INSTALL BACKPLATE

Install the backplate with two 1/4" screws or #14 self-drilling screws in holes marked 1 & 2 near threaded post.



### Step 6: INSTALL MECHANICAL ASSEMBLY

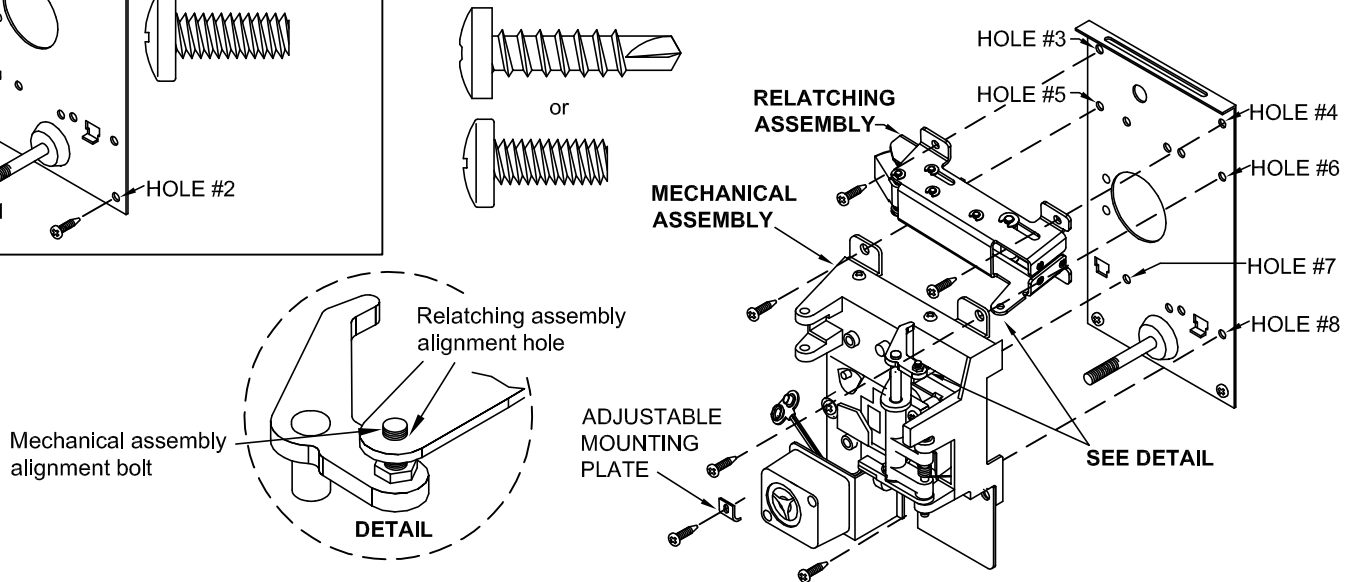
Install the relatching assembly with two 1/4" screws in holes marked 3 & 4.

#### IMPORTANT:

Engage alignment bolt on mechanical assembly with alignment hole on relatching assembly. (see detail)

Install the mechanical assembly with three 1/4" screws in holes marked 5, 6, & 8.

Install adjustable mounting plate with remaining 1/4" screw in hole marked 7.

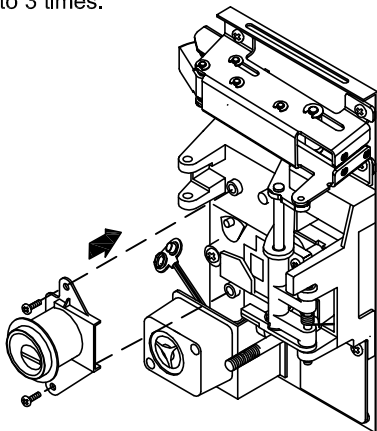


### Step 7: RE-INSTALL CAM BRIDGE

**NOTE:** When re-installing cam bridge assembly, remove key from cylinder and make sure both micro-switches are properly seated on plastic base (ECL-308).

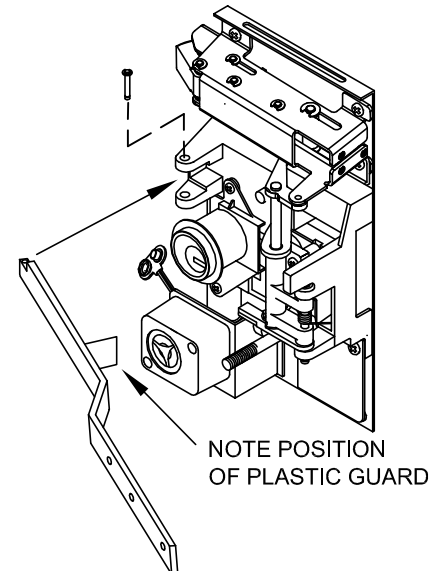
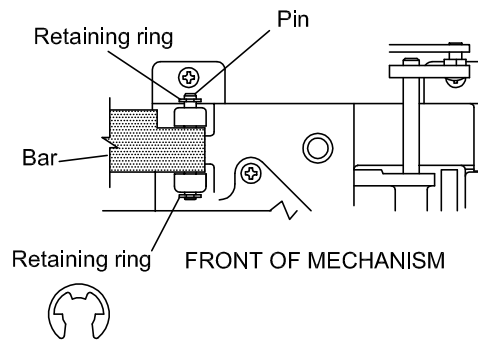
Secure cam bridge.

Insert key in IKC cylinder and cycle switches by turning key clockwise/counter-clockwise 2 to 3 times.



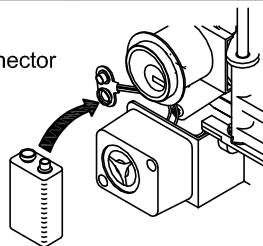
### Step 8: INSTALL PUSHBAR

Remove one of the retaining rings from the bar assembly and pull the bar pin out. Align the bar hole with the holes in the mechanical assembly and insert the bar pin. Push the retaining ring into the groove at the bottom end of the installed pin. Note the position of the plastic guard.



### Step 9: INSTALL 9V BATTERY

Snap the 9V battery onto the battery connector and install the battery into the battery clip located behind the siren.



## Step 10: LUBRICATE MECHANISM AND ADJUST STRIKE & KEEPER

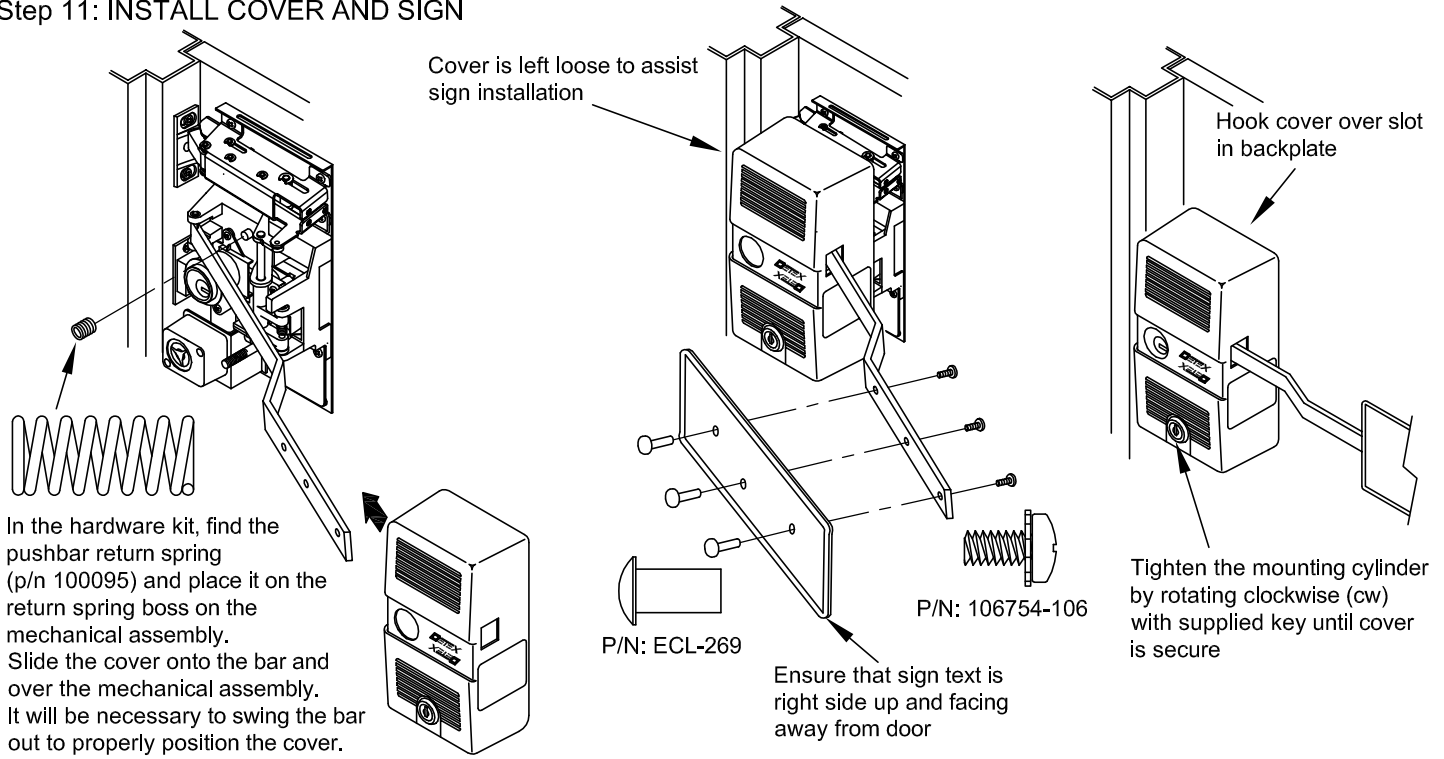
Lubricate mechanism with lithium lubricant.

Engage the bolt and latch into the keeper and strike.

Adjust the keeper and strike as necessary and tighten screws.

Drill the center holes for the keeper and strike and install screws: one (1) #10 flathead screw for the keeper and one (1) #10 flathead screw for the strike.

## Step 11: INSTALL COVER AND SIGN



## TEST AND TROUBLESHOOTING

**RETAINING LATCH DOES NOT ENGAGE:** Verify that when the door is closed the latch is engaged & the dead locking latch is depressed by the strike. If latch does not engage strike, adjust the strike on the frame as required. Install shim as necessary.

### COVER LOCK KEY DOES NOT TURN:

- Confirm key number on cylinder faceplate matches number on the key.
- Lubricate with lithium lube.

### INSIDE KEY CONTROL (IKC) KEY IS HARD TO TURN:

- With the door open, turn the key to extend and retract the bolt.
- If the key turns freely, the problem is misalignment of the bolt and keeper.
- Close the door and extend the bolt. Check the bolt alignment and adjust the keeper as required.
- If the key is hard to turn while the door is open, the problem is because the cylinder tailpiece is too long. Remove the cylinder and shorten the tailpiece.

### THE IKC KEY CANNOT BE REMOVED WHEN THE BOLT IS EXTENDED OR RETRACTED:

- Remove the cam bridge assembly.
- Remove the cylinder.
- Align the timing marks on the housing.
- Remove the key from the cylinder.
- Install the cylinder.
- Secure.

### COVER CANNOT BE INSTALLED WHEN USING A 7-PIN CYLINDER:

Confirm that the escutcheon does not exceed 1/4".

### UNIT DOES NOT SOUND:

- Check/replace battery.
- Check for loose or broken battery leads/siren leads.
- Replace siren.
- Check switches-broken/binding?
- Check plastic actuator-broken?

(this page intentionally left blank)



NOTE: DIMENSIONS MAY NOT BE ACCURATE WHEN PRINTING FROM WEBSITE  
PLEASE CONFIRM DIMENSIONS WITH RULER BEFORE USE

