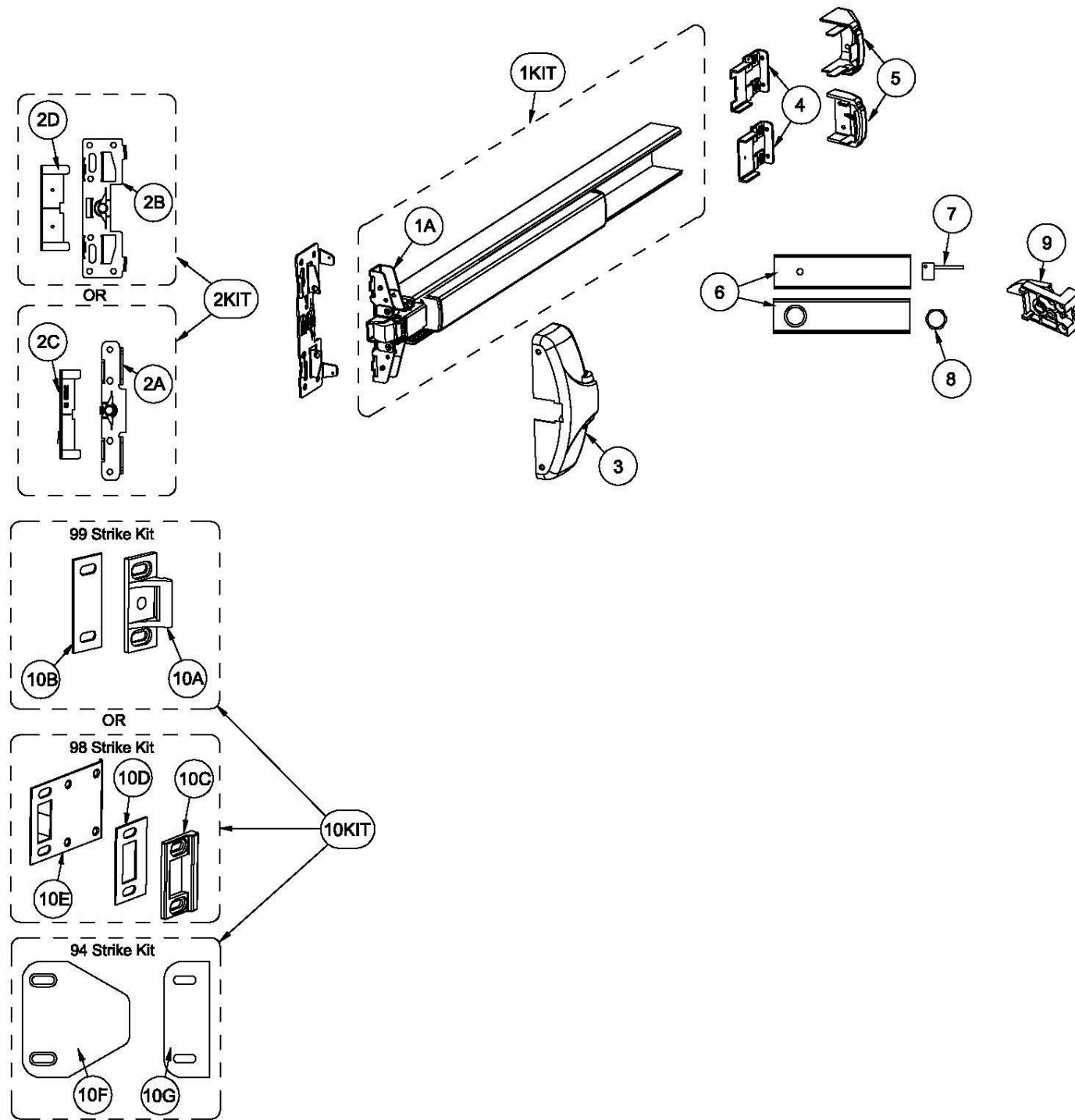




10 / 40 Series Parts List

For Mechanical Devices Only



Item	Order Part#	Description	Price
1KIT	105500-63	Centercase/Pushpad SubAssembly, 40 series, 36", 630 (Includes 1A)	\$726.35
	105500-62	Centercase/Pushpad SubAssembly, 10 series, 36", 630 (Includes 1A)	\$726.35
1A	100698-1	Centercase Assembly, Narrow Stile, 40 Series	\$180.00
	100698-2	Centercase Assembly, Wide Stile, 10 Series	\$183.00
2KIT	103806-1	Mounting Plate/Strike Locator Kit, Narrow Stile (includes 2A & 2C)	\$35.00
	103806-2	Mounting Plate/Strike Locator Kit, Wide Stile (includes 2B & 2D)	\$55.00
2A	100696-1	Mounting Plate, BP2, Narrow Stile	\$26.00
2B	100697-1	Mounting Plate, BP1, Wide Stile	\$49.00
2C	101899	Strike Locator 2" Glass Door (98)	\$12.60
2D	100212	Strike Locator, Standard (99)	\$6.30
3	100311-9	Centercase Cover, Stainless Steel, Narrow, 40 Series, 630	\$226.00
	100196-9	Centercase Cover, Stainless Steel, Wide, 10 Series, 630	\$138.00
	104602-1	Centercase Cover, Aluminum, Narrow, 40 Series, 628	\$210.00
	104640-1	Centercase Cover, Aluminum, Wide, 10 Series, 628	\$136.00
4	100147	Endcap bracket for EC1 (ramped) endcap w/o battery holder	\$15.75
	101093	Endcap bracket for EC1 (ramped) endcap w/ battery holder	\$21.00
	104303	Endcap bracket for EC2 (flush) endcap w/o battery holder	\$41.00
	104636	Endcap bracket for EC2 (flush) endcap w/ battery holder	\$41.00
5	101642-9	Endcap, EC1 (ramped) Stainless Steel, 630	\$101.00
	104304-9	Endcap, EC2 (flush) Stainless Steel, 630	\$94.00
	104612-1	Endcap, EC2 (flush) Aluminum, 628	\$149.00
6	100860-54	Fillerplate, Subassembly, S&R, Hex Dogging, HD, 10 series, 36", 630	\$185.39
	100860-49	Fillerplate, Subassembly, S&R, Cylinder Dogging, CD, 10 series, 36", 630	\$247.65
	100860-100	Fillerplate, Subassembly, S&R, Hex Dogging, HD, 10 series, 36", 628	\$734.21
	100860-137	Fillerplate, Subassembly, S&R, Hex Dogging, HD, 40 series, 36", 628	\$781.68
7	100450	Hex Key (for Hex Dogging)	\$9.00
8	100783	Cylinder Nut (for Cylinder Dogging)	\$8.00
9	102216-2	Hex Dogging Assembly	\$26.00
	102216	Cylinder Dogging Assembly	\$19.95
10KIT	100855-2	99 Strike Kit (includes 10A & 10B)	\$49.00
	100855-1	98 Strike Kit (includes 10C, 10D & 10E)	\$59.00
	102212-1	94 Double Door Strike Kit (includes 10F & 10G)	\$81.00
10A	100234-1	Strike, Non-roller	\$23.00
10B	100088	Strike Shim	\$1.36
10C	100480	Strike, Mortise	\$28.00
10D	100482	Shim, Mortise Strike	\$6.30
10E	100481	Shield, Strike	\$23.00
10F	102211	Double Door Strike Plate	\$78.00
10G	102214	Shim, 94 strike	\$2.72

NOTE: Your particular part or configuration may not be shown: Contact Detex technical support at 800-729-3839 (option 2)

