

EAX® EXIT ALARMS

EAX-2500

AC/DC External Powered Wall Mount Exit Alarm

The Detex EAX-2500 Series Exit Alarm is designed for applications requiring a hardwired AC/DC alarm on secure doors. The alarm, with approximately 100dB, will sound when an unauthorized exit occurs. The smaller size of the EAX-2500, which is designed to fit in a standard 4"x4" outlet box, makes it the choice for quick and easy installations on emergency exit and restricted doors.

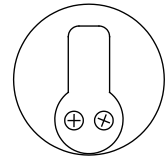


Specify EAX-2500SxMC65



Specify EAX-2500SxBKxMC65

Shown with mortise cylinder
(cylinder sold separately)



Benefits

- Field selectable features allow customer to choose status indicators and auto rearm options
- 100dB piezo horn provides security for restricted doors
- Easy to install using ordinary tools to save time and money
- New graphics on cover are easy to understand and make key operation simple
- Available in either gray or black to blend with any décor

Features

- Surface and flush mount available using 4"x4" double switch/outlet box
- Patented cam assembly automatically adjusts for different size cylinders without spacers
- Inside Key Control uses mortise cylinder with standard Yale cam
- AC/DC hardwired power with optional 9VDC backup battery
- Low battery alert is field selectable
- Silent arming feature is field selectable
- 100dB piezo horn
- Key required to reset alarm
- Tamper resistant housing and cover protects electronics
- Bypass input available
- Relay output for signaling external accessories
- Field selectable 2-minute auto rearm, if desired

Mechanical Options

- KS - Key Stop (Key removed only in on position)
- EAX-2500 Flush or Surface
- EAX-2500FK1 - Complete kit contains alarm, warning sign, flush back box, MS-2049F magnetic switch and 24VAC transformer (add suffix "xMC65 or xIC7" to include factory installed cylinder)
- EAX-2500SK1 - Complete kit contains alarm, warning sign, surface back box, MS-2049S magnetic switch and 24VAC transformer (add suffix "xMC65 or xIC7" to include factory installed cylinder)

Technical Information

- 7 pin cylinder requires 1/4-inch collar

Other EAX Exit Alarms Include

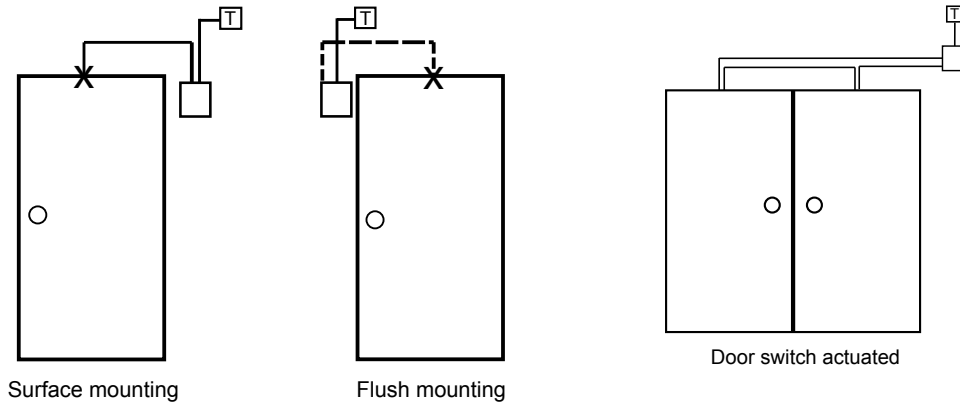
- EAX-500 - Battery Powered
- EAX-500W - Weatherized Battery Powered
- EAX-3500 - Timed Bypass and Rechargeable Battery
- EAX-300 - Door Prop
- EAX-300W - Weatherized Door Prop

Accessories

- IC7 - Interchangeable mortise cylinder (can be factory installed)
- MC65 - Mortise cylinder (can be factory installed)
- 102640 (EAX-2500C) Conversion Kit
- MS-2049, MS-1039, MS-1059 - Magnetic Switch
- Optional Cylinder Nut Wrench P/N: 103779

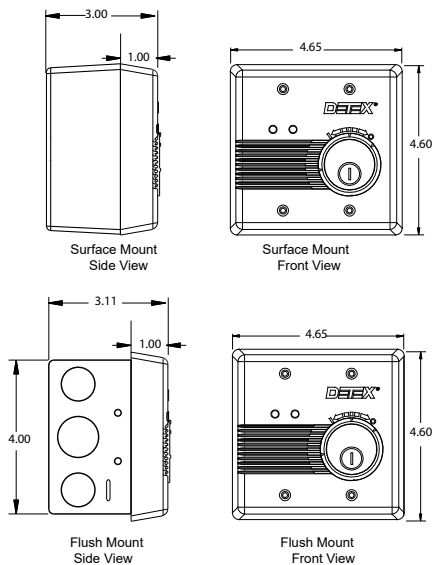


Riser Diagram

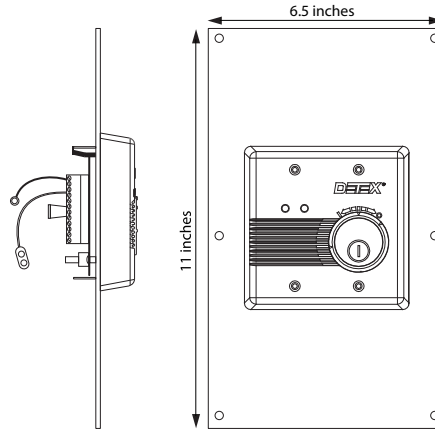


Double door application as shown above available with EAX-500, EAX-300, EAX-2500 and EAX-3500. **Note:** Double door application as shown **not** available with EAX-300W or EAX-500W weatherized alarms.

Dimensions



EAX-2500C Conversion Kit Dimensions (P/N 102640)



Detex Limited Warranty

3 Year Mechanical / 1 Year Electrical

DETEX[®]
A Century of Security
1923-2023

Detex Corporation
 302 Detex Drive
 New Braunfels, Texas 78130-3045 USA
 PH. (830) 629-2900
 (800) 729-3839
 FAX (800) 653-3839
<http://www.detex.com>
 USA Sales:
marketing@detex.com
 International Sales:
export@detex.com

Cancer & Reproductive Harm - www.detex.com/prop65