

D4550 Door Closer

The D-4550 Series AL Closers are heavy-duty door closers constructed of high-silicon aluminum alloy for installation on exterior and interior doors that are subject to high use and potential abuse. They are designed and engineered for reliability and superior performance. The commercial applications for which these closers are ideal include schools, medical facilities, institutions, and hospitals as well as office buildings and any entrance door with high foot traffic.



Benefits

- All season fluid eliminates the need for seasonal adjustment
- R14 hard aluminum alloy exceeds ANSI/BHMA A156.4 Grade 1 requirements

Features

- Full hydraulic checking controls the door through the full opening and closing cycles
- Hold-Open
- Stop
- Compression-stop available
- Adjustable backcheck upon opening and adjustable general and latch speeds through closing cycle
- Adjustable Delayed-Action speed through closing cycle
- Heavy duty forged-steel arms are interchangeable
- Non-handed
- Adjustable closing force

Configurations

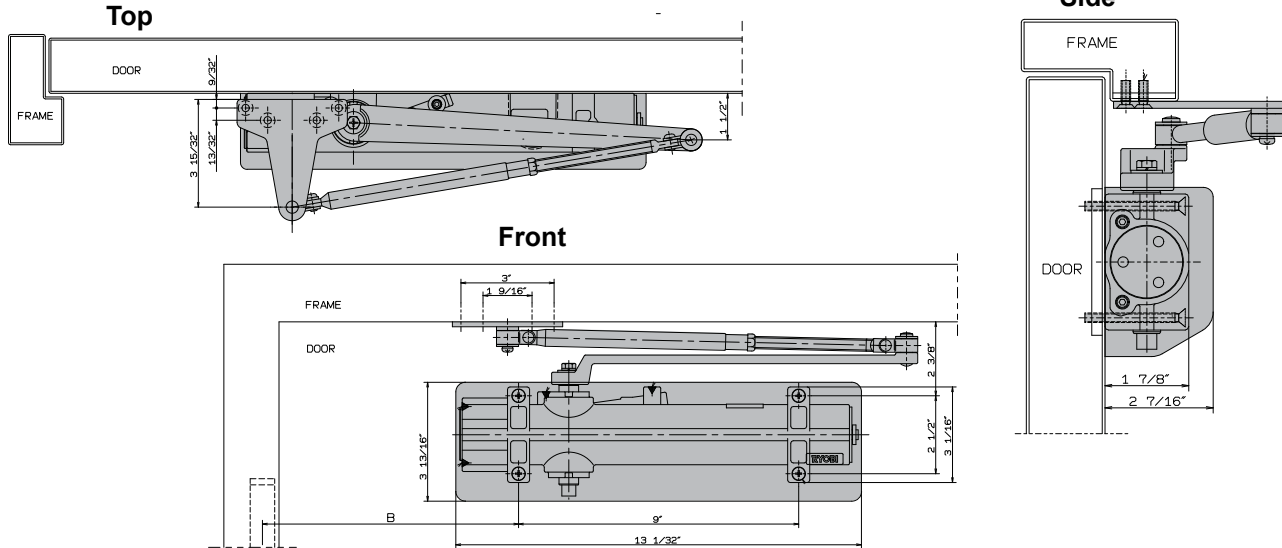
- D4550AL - Extra heavy duty door closer with heavy duty regular arm set and parallel bracket
- D4550-H-A - Extra heavy duty door closer with heavy duty regular arm set with hold-open
- D4550-P-H-A - Extra heavy duty door closer with heavy duty parallel arm set with hold-open
- D4550-T-A - Extra heavy duty door closer with heavy duty track-rail arm set
- D4550-EDA-A - Extra heavy duty door closer with extra heavy duty parallel arm set
- D4550-EDA-H-A - Extra heavy duty door closer with extra heavy duty parallel arm set with hold-open
- D4550-EDA-S-A - Extra heavy duty door closer with extra heavy duty parallel arm set with stop
- D4550-EDA-HS-A - Extra heavy duty door closer with extra heavy duty parallel arm set with hold-open and stop
- D4550-EDA-CS-A - Extra heavy duty door closer with extra heavy duty parallel arm set with compression-stop
- D4550-EDA-H-CS-A - Extra heavy duty door closer with extra heavy duty parallel arm set with hold-open and compression-stop

Technical Information

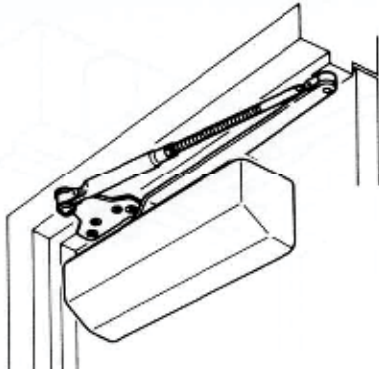
- Maximum door width:
Interior: 60"
Exterior: 48"
- Spring Strength: 2-7 Spring Variable
- Closing Force: 1-6 seconds
Variable/Adjustable
- Max door weight: 330 lbs
- 689 - Aluminum Silver Finish

Dimensions

Parallel arm dimensions shown



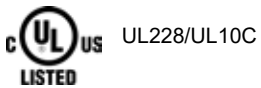
Riser Diagram



Parallel arm application shown

Closer mounted on push side of door

Listings and Approvals



UL228/UL10C



ANSI/BHMA certified A156.4-2019 Grade 1

Detex Limited Warranty

10 Year Limited Manufacturer's Warranty

DETEX[®]
A Century of Security
1923-2023

Detex Corporation
302 Detex Drive
New Braunfels, Texas 78130-3045 USA
PH. (830) 629-2900
(800) 729-3839
FAX (800) 653-3839
<http://www.detex.com>
USA Sales:
marketing@detex.com
International Sales:
export@detex.com

 Cancer & Reproductive Harm - www.detex.com/prop65